



Flamesa Flame

Instructions

IMPORTANT SAFETY INFORMATION

Please read all instructions carefully before assembling this product.

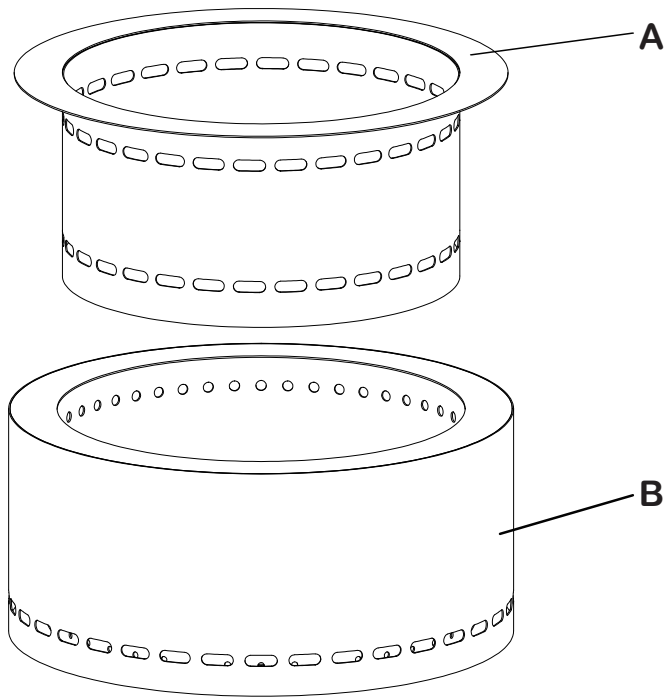
Where applicable, and for your safety, assembly by an adult is strongly recommended.

- For outdoor use only!
Never leave a fire unattended!
- Do not burn over 8 lb untreated wood or fire logs in this fire pit.
- Never leave the burning fire bowl unattended, and always extinguish the fire completed.
- Do not allow children or pets near fire pit without supervision.
- Do not touch the surface of the fire pit while in use as it may cause burns.
- Never burn in vehicles, tents or indoors. CARBON MONOXIDE HAZARD.
- Do not use water to extinguish as this is dangerous and can cause damage to the fire pit.
- Burn only untreated wood, fire logs or wood pellets in this fire pit.
- Do not use gasoline or kerosene to start the fire in this fire pit
- Do not use this unit on a wood deck, long or dry grass and/or leaves, or on combustible surfaces.
- Do not attempt to move the fire pit while it is hot or in use.
- Place the fire pit no closer than 2.4m from walls or combustibles during use.
- Adequate fire extinguishing material should be readily available.
- Do not use this fire pit in windy conditions.
- Do not wear flammable or loose clothing during operating the fire pit.



WARNING: FUELS USED IN WOOD OR CHARCOAL BURNING APPLIANCES, AND THE PRODUCTS OF COMBUSTION OF SUCH FUELS, CAN EXPOSE YOU TO CHEMICALS INCLUDING CARBON BLACK, WHICH IS KNOWN TO THE STATE OF CALIFORNIA TO CAUSE CANCER, AND CARBON MONOXIDE, WHICH IS KNOWN TO THE STATE OF CALIFORNIA TO CAUSE BIRTH DEFECTS OR OTHER REPRODUCTIVE HARM.

PARTS LIST



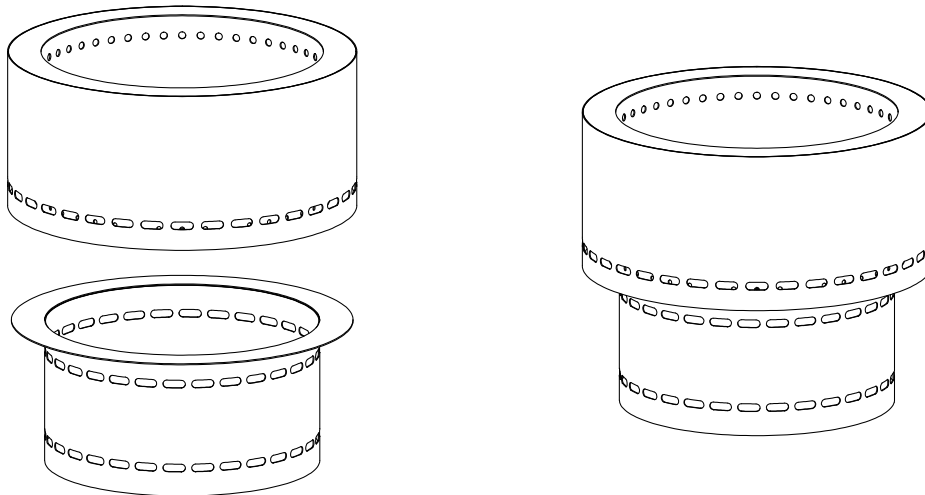
Component	Description	Quantity
A	Base	1
B	Fire Bowl	1

PRODUCT INFORMATION

Product dimension: 48.3cm Dia. x 41 cm H

ASSEMBLY

Put the Fire Bowl (A) on the Base (B).



OPERATING INSTRUCTIONS

Lighting—Fire wood

- Place a small amount of kindling or fire starter material in the center of the fire pit.
- Arrange fire wood properly. (Recommend using wood log size within Dia. 5 x L 23 cm)
- Use a long match or stick lighter to light.
- Add additional logs as needed.
- Please wear heat-resistant gloves during use.

Lighting—Wood pellet

- Add wood pellet properly.
- Place a small amount of kindling or fire starter material in the center above the wood pellet.
- Use a long match or stick lighter to light.
- Please wear heat-resistant gloves during use.



NOTE: When fire lit, there will be some smoke, which will decrease over time as the unit achieves full efficiency.

Make the fire pit less smoke

- Stack fire wood below the interior vent hole (Figure 1). If you use pellet wood which below middle vent hole (Figure 3).
- Use dry wood or pellet.
- Create a hot fire.
- Use hardwoods like oak, maple, or hickory etc.
- Avoid burning trash or debris.
- Do not use in gusty weather.
- Add pellet wood as figure 3 or bulid fire wood properly as below teepee and log cabin structure (Figure 2), leaving gaps between the logs for air circulation.

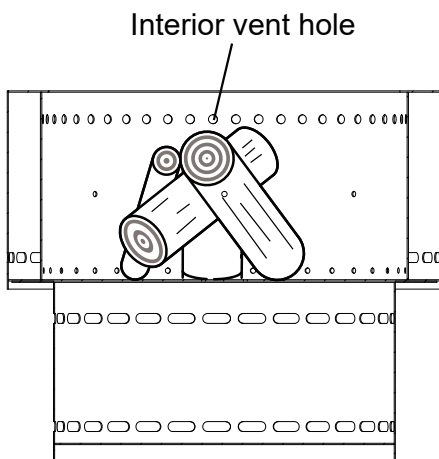
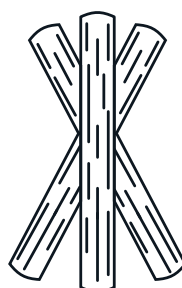
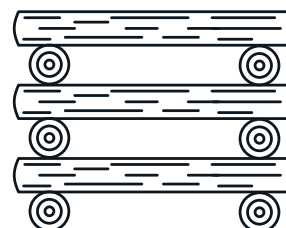


Figure 1



TEEPEE



LOG CABIN

Figure 2



Figure 3

Extinguishing the Fire

- Allow the fire to burn itself out.
- Except in the event of an emergency, do NOT use water to extinguish a fire as this is dangerous and can cause damage to the outdoor fire pit.

MAINTENANCE

- Due to extremely high temperatures, discoloration of the fire pit will occur and is considered normal.
- To extend the life of your fire pit, clean it after each use.
- To protect fire pit finish, use a soft cloth in lieu of bare hands while handling.
- Clean the fire bowl after each use once ashes have cooled.
- Store assembled fire pit in a cool, dry location away from children and pets.

CARE

- Do not attempt to clean the fire pit until the fire is completely out and cooled completely.
- After the cleaning is complete, put it back into the original position and wait for the next use