



Flamesa Avara Compact

INSTRUCTIONS



Failure to follow these instructions can result in serious injury, fire, or damage to property. **FOR OUTDOOR USE ONLY.** Never use this appliance indoors or in any enclosed area. **CARBON MONOXIDE HAZARD:** Burning pellets produces carbon monoxide. Carbon monoxide has no smell and can kill you if it builds up in an enclosed space. Always use outdoors in well-ventilated areas only.

SAFETY

Please read these instructions carefully before using this appliance for the first time. Failure to follow these instructions may result in serious injury, fire, or damage to property. This appliance is designed for outdoor use only, or in partially enclosed, well-ventilated areas such as pergolas or verandas.

- This appliance must not be used by children or by persons with reduced physical, sensory, or mental capabilities without supervision.
- Do not modify or tamper with any safety or airflow adjustment devices.
- Use the appliance only for its intended purpose. It must not be used as an incinerator.
- Do not place clothing, towels, or other items on or near the appliance.
- Keep all flammable materials (including pellet bags and liquids) at least 1.2 metres away.
- Do not operate the appliance if the glass tube is cracked, broken, or damaged.
- Never touch or move the appliance while operating or until it has fully cooled. Use heat-resistant gloves if handling is required.
- Never clean the glass or hot parts while the appliance is operating.
- Do not use the appliance during rain. Sudden contact between hot glass and water may cause breakage.
- Do not operate during adverse conditions such as strong winds, heavy rain, or snow as it may affect performance and safety.
- Do not spray water or any liquid onto the glass tube while operating.
- Install on a flat, level surface only

IMPORTANT SAFETY RULES

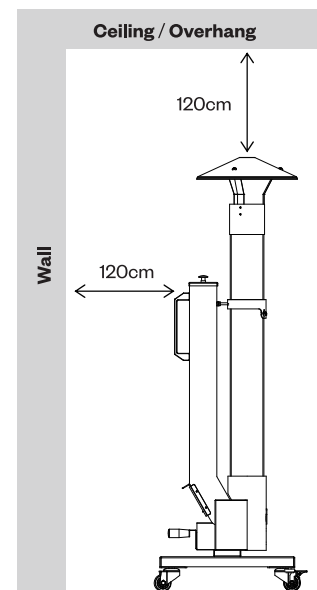
This appliance is for outdoor use only, or for use in well-ventilated areas. A well-ventilated area must have at least 25% of the total wall surface area permanently open. Use of this appliance in fully enclosed or poorly ventilated spaces is dangerous and strictly prohibited.

During operation, surfaces above the heater post become extremely hot. All users must be aware of burn hazards. Children must be closely supervised at all times when the appliance is in use or cooling down.

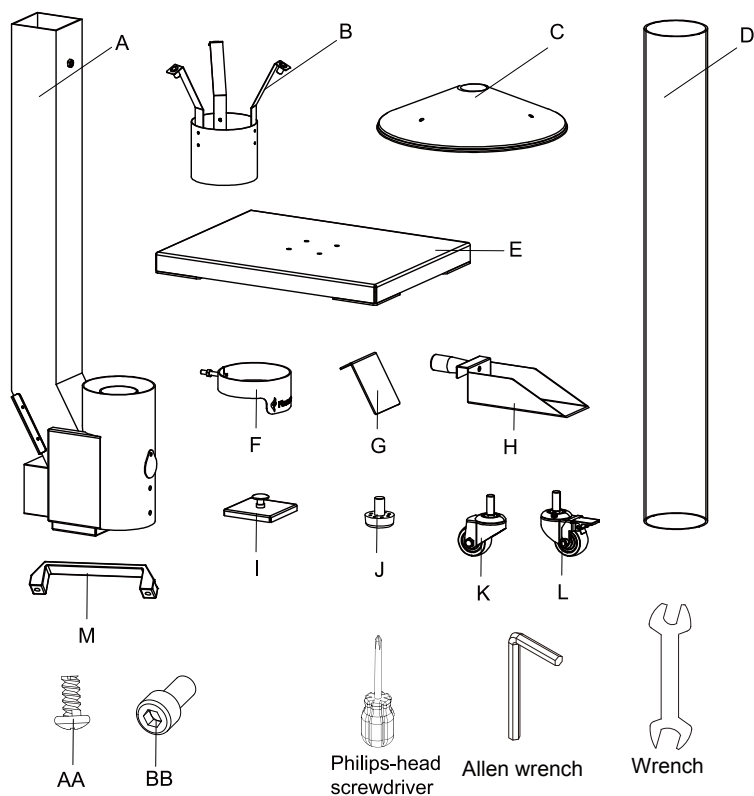
Never hang clothing, towels, or any other flammable materials on or near this appliance.

Do not operate the appliance unless it is fully assembled and the reflector is correctly installed. Always maintain the minimum required clearances from combustible materials.

Installation clearances must be observed at all times for fire safety. If the appliance is placed on a combustible surface (such as timber, carpet, rubber, or plastic), a suitably sized non-combustible base (e.g. sheet metal or tempered glass) must be used. Flammable materials, including pellet bags and flammable liquids, must be kept well clear of the appliance.



PART	DESCRIPTION	QUANTITY
A	Heater body	1
B	Reflector bracket	1
C	Reflector	1
D	Glass tube	1
E	Base	1
F	Glass tube holder	1
G	Stripper plate	1
H	Ash pan	1
I	Lid	1
J	Adjustable foot	4
K	Wheel	2
L	Wheel with braker	2
M	Handle	1
AA	M6x12 bolt	7
BB	M8x16 Hex socket screw	2



INSTALLATION INSTRUCTIONS

Installation and assembly must be carried out strictly in accordance with these instructions and all applicable state and local regulations. Failure to comply may result in personal injury, damage to property, or unsafe operation. The manufacturer accepts no responsibility for damage or injury resulting from incorrect installation or non-compliance with applicable regulations.

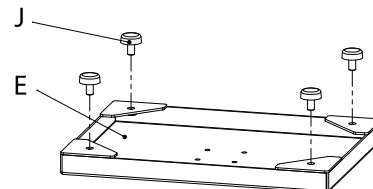
ASSEMBLY

Before assembly, remove all packaging materials. Handle all glass components carefully and remove them slowly to avoid damage.

Please take out all glass parts slowly and carefully.

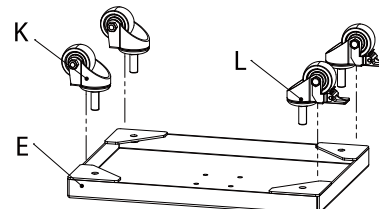
Step 1

Tighten 4pcs adjustable feet (J) into Base (E).



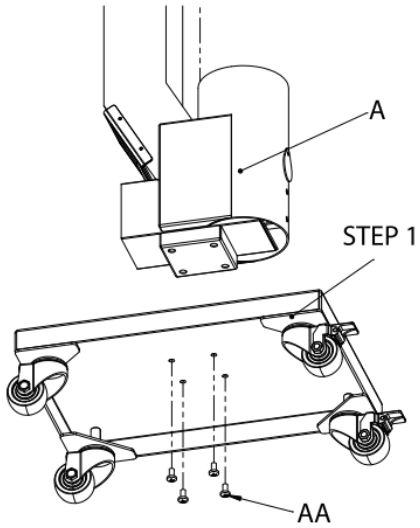
If you need wheel for moving pellet heater, you can assemble wheel.

Tighten 2pcs Wheel (K) and 2pcs Wheel with braker (L) into Base (E) with wrench.



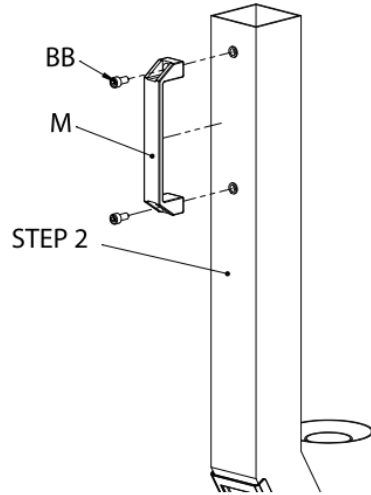
Step 2

Attach Heater body (A) to Base (Step 1) with 4pcs M6x12(AA) bolts.



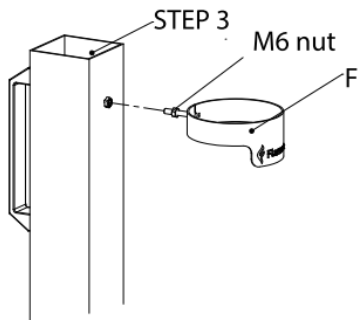
Step 3

Use Allen wrench to install Handle (M) to Heater body (Step 2) with 2pcs M8x16 Hex socket screw (BB).



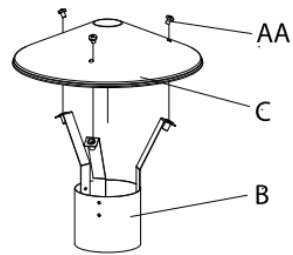
Step 4

Attach Glass tube holder (F) to the Heater body (Step 3), and lock the M6 Nut with wrench.



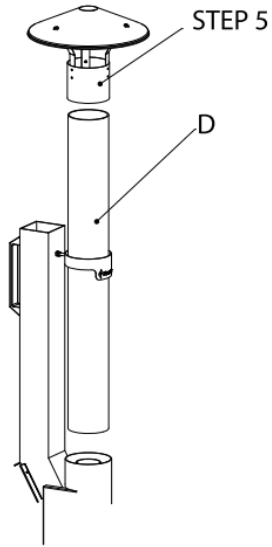
Step 5

Attach the Reflector (C) to the Reflector bracket (B) with 3pcs M6x12(AA) bolts.



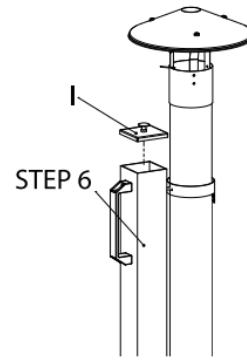
Step 6

Insert Glass tube (D) slowly and Reflector and Reflector bracket (Step 5).



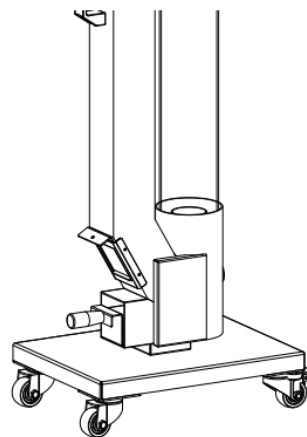
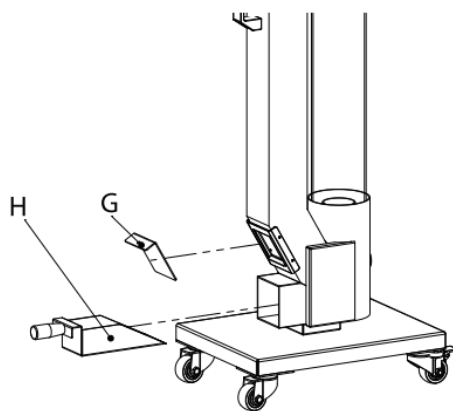
Step 7

Put the lid (I) onto the pellet feed pipe (Step 6).



Step 8

Put the stripper plate(G) and the ash pan(H) to the heater body.



USER GUIDE

Before Your Start

The following checks must be completed before first use and after any extended period of inactivity:

- Confirm the appliance is positioned in accordance with the required safety clearances.
- Ensure there are no flammable materials located near the appliance (refer to the safety clearance diagram on Page 1).
If the appliance has not been used for an extended period, inspect and clean the brazier and glass component store move any ash, dust, or debris before ignition.

Fuel Requirements

This appliance is designed to operate exclusively with wood pellets made from compressed sawdust. Using high-quality pellets ensures efficient combustion, reduced ash buildup, and lower environmental impact.

Only certified pellets that meet the following specifications must be used:

- Use only wood pellets that comply with EN14961-2
- Length: 3 - 40 mm
- Diameter: 6mm
- Maximum moisture content: 10%
- Density: 600-750 kg/m³
- Minimum calorific value: 4.6 kWh/kg
- Raw material: 100% natural wood, preferably softwood, with no additives or binders

The use of any fuel other than the specified wood pellets is strictly prohibited. Using non-compliant pellets may result in unsafe operation, excessive smoke, damage to the appliance, and will void the manufacturer's warranty.

Quick Start-Ignition

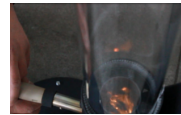
After unpacking the appliance, ensure all required accessories are available and correctly assembled.

Before ignition, complete the following checks:

Confirm the appliance is positioned in accordance with the required safety clearances.

Ensure there are no obstructions above the appliance or near the smoke outlet.

Verify the appliance is placed on a flat, stable surface and is perfectly upright.



Add pellet wood

Ignition

Light up

Add the recommended quantity of wood pellets.

Ignite the pellets using a handheld torch (not supplied). Maintain the flame for approximately 2 minutes to ensure proper ignition.

Observe the flame. A steady, upright flame indicates correct operation. Insufficient ignition may result in flame failure or excessive smoke.

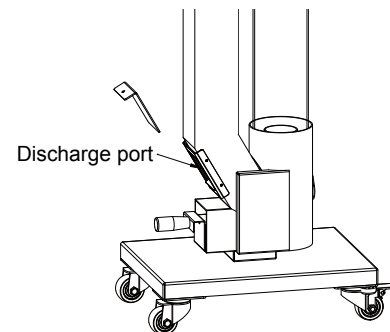
Note: Approximately 2.5kg of pellets will provide up to 1.5 hours of operation, depending on conditions.

Once the appliance has been ignited, the loaded pellets must be allowed to burn completely through the full operating cycle.

If an emergency occurs, the burning should be stopped as soon as possible.

Open the stripper plate, use a **metal** cup to collect the particles from the discharge port.

Then wait for the remaining pellet to burn up completely.



Important Operating

During initial use, the appliance may emit a light odour from the curing of protective coatings and paint. This is normal, may last for several hours during first operation, and is not harmful. Ensure the appliance is used in a well-ventilated outdoor area during this period.

After each operating cycle, a small amount of ash may remain inside the combustion chamber. This ash must be removed before the next use.

As a pellet-powered appliance, regular inspection and cleaning are required to ensure safe operation, optimal performance, and long service life.

CLEANING AND MAINTENANCE

As a pellet-powered appliance, regular inspection and cleaning are required to ensure safe operation, optimal performance, and long service life. The user is responsible for carrying out routine cleaning and maintenance as described in this manual.

Unless otherwise stated, the maintenance tasks listed below are mandatory and must be performed at the specified intervals.

General Cleaning

Always allow the appliance to cool completely before cleaning.

For external surfaces, use only mild, non-abrasive cleaning products. Do not use aggressive or corrosive cleaners.

If using an ash vacuum cleaner, ensure that all ashes are completely cold and that no embers are present.

Glass Tube Cleaning

Clean the glass tube as required using a soft cloth or kitchen paper and a suitable glass cleaner.

Do not clean the glass while it is hot.

Before Each Refill

Before adding new pellets, carry out the following steps:

Remove the glass tube carefully.

Clean the fire tube and mesh plate using a brush or cleaning rod, ensuring that all air holes at the base are free from ash and combustion residue.

If necessary, remove the brazier tube and clean it using a wire brush. An ash vacuum cleaner may be used if the ash is cold.

Fuel Quality Note

The use of certified, high-quality wood pellets allows the appliance to operate efficiently and reduces the frequency of cleaning.

Hard, glass-like residue (silica agglomeration) inside the combustion area indicates poor-quality fuel and may impair performance.